

Product Line	<b>DONUT GLAZERS</b>
Models	HG18EZ, HG18C

Belshaw's HG18C and HG18EZ glazers allow fast, uniform glazing of donuts, cinnamon rolls and other baked goods. These glazers conveniently glaze one full 17" x 25" screen at a time with minimal waste.

Glazers are movable on casters and require little space. A bottom shelf provides storage space for screens and a glaze bucket. A drain allows left over glaze to be poured out. Stainless steel construction and sound design facilitate cleaning and provide a durable product that will stand up to years of everyday use.

The EZlift method employed by the HG18EZ glazer eliminates the heavy lifting associated with standard hand glazers. Rather than being carried by the operator, the glaze applicator slides along rails, and tilts down to fill up with glaze. This design provides even glaze coverage with little strain on the operator.

**STANDARD FEATURES**

- Glazes a 17" x 25" screen of donuts (2 dozen)
- (HG18EZ) Glaze applicator slides on rails. Operator does not lift the glaze applicator manually.
- (HG18C) Glaze applicator is lifted manually
- Kettle needs only 1 large glaze bucket to fill.
- High-capacity glaze trough, applicator has no trouble filling with glaze each time.
- 'Clamshell' style applicator, allows operator to easily control flow of glaze.
- Ergonomic rounded corners, employees less likely to catch clothing, etc.
- Easy to operate drain with valve, returns unused glaze to a bucket for later use.
- Flat bottom shelf, for storage of glaze buckets, screens, etc.
- Cleans in rack washer or by hose down.
- NSF listed.



**HG18EZ** Donut Glazer with EZLift \*Glazing screens supplied separately



**HG18C** Donut Glazer \*Glazing screens supplied separately



**HG18C** Glazer with Drain Tray



**HG18EZ** Glazer with Donuts



EZLift Mechanism

Product Line	<b>DONUT GLAZERS</b>
Model	HG18EZ, HG18C

### STANDARD FEATURES

- Glaze applicator has clamshell-style opening to control flow of glaze.
- Incorporates 1½" drain with valve to empty surplus glaze.
- Bottom shelf with storage for large glaze container and other items
- Washable in rack washer or by hose down with brush
- Stainless steel frame, kettle, applicator
- 4" heavy duty water-resistant casters (2 lockable)
- Listed by NSF for sanitation

### STANDARD FEATURES (HG18EZ only)

- Applicator slides on rails while glazing donuts
- Applicator tilts down for refilling (no lifting)

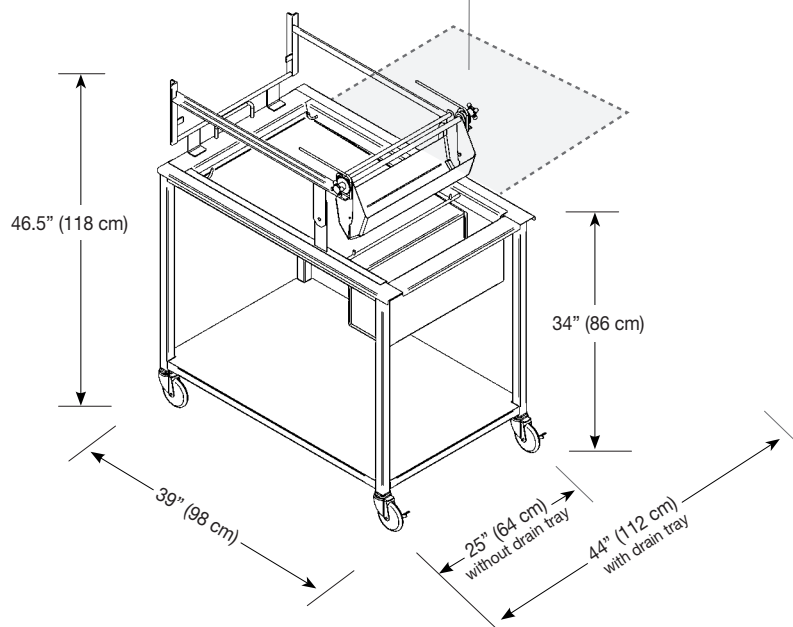
### OPTIONAL ITEMS

- **Drain Tray.** Reduces floor spillage by allowing one screen of donuts to drip, while glazing another screen. Drain tray is mountable on left or right side. Part Nbr HG18EZ-1002
- **Screens.** Glazers are compatible with 17" x 25" glazing screens, Part Number SL200-0004. Details in table below

DIAGRAM SHOWS HG18EZ GLAZER.

HG18C GLAZER HAS SAME DIMENSIONS, EXCEPT 34" (86 CM) HEIGHT

OPTIONAL DRAIN TRAY CAN BE PLACED EITHER SIDE



### DIMENSIONS

		HG18EZ	HG18C
<b>OVERALL DIMENSIONS 1</b> without optional drain tray	inches	25" W x 39" D x 46.5" H	25" W x 39" D x 34" H
	cm	64 x 98 x 118 cm	64 x 98 x 86 cm
<b>OVERALL DIMENSIONS 2</b> with optional drain tray extended	inches	44" W x 39" D x 46.5" H	44" W x 39" D x 34" H
	cm	112 x 98 x 118 cm	112 x 98 x 86 cm
<b>SHIPPING DATA</b> (Approximate, shipped in carton or pallet)	inches	48" x 40" x 42"	48" x 40" x 42"
	cm	122 x 102 x 107cm	122 x 102 x 107cm
	lbs	205 lbs	165 lbs
	kg	93 kg	75 kg
<b>FREIGHT CLASS</b>		150	150



### GLAZING SCREENS (Purchased separately)

					<b>APPROX. SHIPPING WEIGHT of screens</b> (Carton of 12 screens)
		<b>GLAZER MODEL</b>	<b>PART NUMBER (for GLAZING SCREENS)</b>	<b>SCREEN SIZE</b>	
		HG18EZ	SL200-0004	17" x 25" (43 x 63 cm)	45 lbs (21 kg)
Sample Glazing Screen (made with high quality nickel plated steel)		<b>FREIGHT CLASS: 70</b> (Screens only)			

90 Years of Quality Donut & Bakery Equipment

[www.belshaw.com](http://www.belshaw.com)