

Product Line	<b>SUGARING TABLE</b>
Model	ST2 (Item #21073)

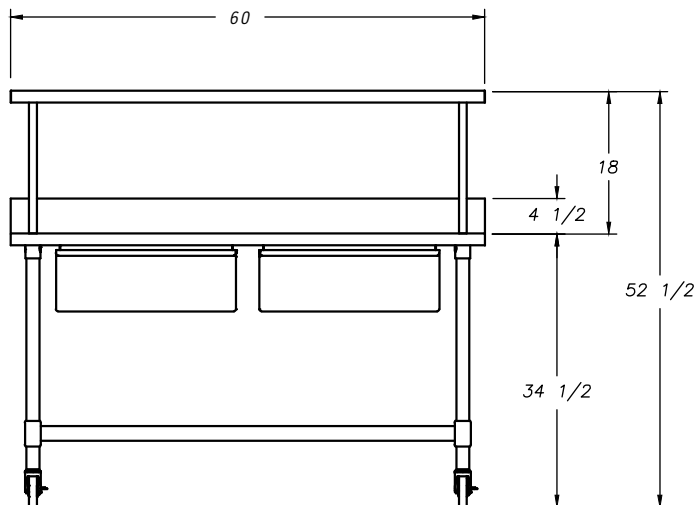


Belshaw Adamatic's **ST2 Sugaring Table** is a quality fixture with two large bowls inside stainless steel drawers for dry finishes. The Sugaring Table occupies 5 feet x 2½ feet of space, and includes a general purpose work surface, storage shelf, and 2 large bowls for sugars, sprinkles or other dry finishes.

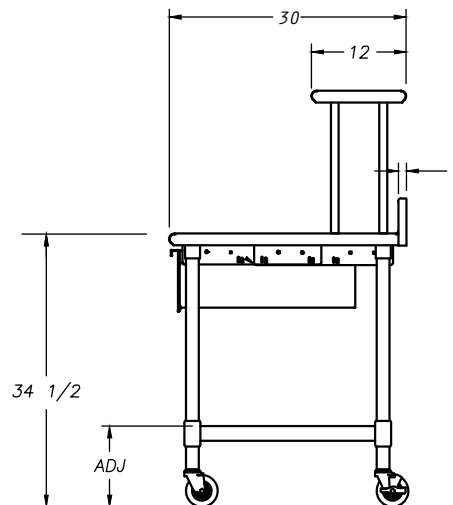
#### **STANDARD FEATURES**

- 12.5 sq. ft. (1.16 m<sup>2</sup>) work surface.
- Full size storage shelf below work surface
- Smaller upper storage shelf
- Two drawers with bowls on all-stainless rollers
- 17-inch stainless steel bowls, 20 quarts each (19Liters).
- Stainless steel construction throughout.
- Caster wheels, 2 lockable.
- No electric power required.
- Certified to NSF-2

**FRONT VIEW (inches)**



**SIDE VIEW (inches)**



**DIMENSIONS**

<b>OVERALL DIMENSIONS</b>	inches	60" W x 30" D x 52½" H
	cm	152 W x 76 D x 133 H cm
<b>SHIPPING DIMENSIONS</b> <i>(Approximate, shipped in carton on pallet or crate)</i>	inches	63" x 38" x 48"
	cm	160 x 97 x 122 cm
	lbs	313 lbs
	kg	142 kg
<b>FREIGHT CLASS</b>		100

**90 Years of Quality Donut & Bakery Equipment**

**www.belshaw.com**